


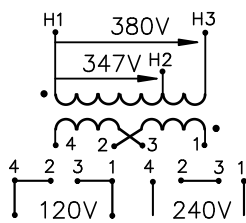


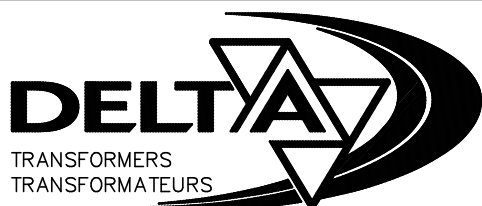


ALL DIMENSIONS ARE IN INCHES
 * TOLERANCES STD. + / - 0.1 INCHES [+ / - 3 MM]

* OPTIONAL FUSEBLOCK ADAPTER KIT (P/N FBOAK1) WILL ADD 0.38"[9.65] TO THE HEIGHT
 * OPTIONAL PRIMARY AND SECONDARY FINGERSHIELDS (P/N FG01) WILL ADD 0.19"[4.9] TO THE HEIGHT AND 0.38"[9.65] TO THE DEPTH

 DELTA TRANSFORMERS TRANSFORMATEURS	H1	H2	H3	CAT.NO. DC0500LH	 LR3902
 INDUSTRIAL CONTROL TRANSFORMER TRANSFORMATEUR DE CONTROLE INDUSTRIEL				 LISTED 252L E50394 130-6 TYPE 3AH	
 np1378-dt	500VA 50/60Hz 80°C RISE 300VA			X4 X2 X3 X1	FABRIQUER EN MADE IN CANADA

NOTES:



TITLE: ORION 1 PHASE CONTROL TRANSFORMER

				DES: WWONG
				DATE: 10/05/03
NO.	DATE	BY	REVISION	SCALE: NTS

SHEET 1 OF 1

EDDC0500LH

0.3 root 2010/06/03 17:55