

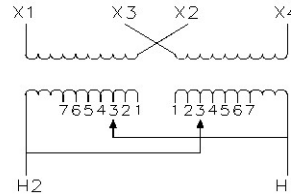
# DISTRIBUTION PRODUCTS / PRODUITS DISTRIBUTION

DRY TYPE GENERAL PURPOSE TRANSFORMER / TRANSFORMATEUR D'APPLICATION GÉNÉRALE DE TYPE SEC

|                           |                  |        |
|---------------------------|------------------|--------|
| CAT.                      | CD1A0050RKA6XXLD |        |
| KVA                       | 50               |        |
| PHASE                     | 1                | 60 Hz  |
| TEMP. RISE<br>ÉLEV. TEMP. | 150 °C           |        |
| TAPS<br>PRISES            | 4 - 2.5 % 2A, 2B |        |
| ENCLOS.<br>BOITIER        | 3R               | 159 Kg |

| PRIMARY / PRIMAIRE |                    |                           |
|--------------------|--------------------|---------------------------|
|                    | VOLTAGE<br>TENSION | CONNECTORS<br>CONNECTEURS |
|                    | 480                | 1 of/de 250 MCM           |

| SECONDARY / SECONDAIRE |                    |                           |
|------------------------|--------------------|---------------------------|
|                        | VOLTAGE<br>TENSION | CONNECTORS<br>CONNECTEURS |
|                        | 120/240            | 1 of/de 500 MCM           |



| DIMENSIONS |         |       |
|------------|---------|-------|
|            | IN / PO | MM    |
| A          | 33      | (838) |
| B          | 21      | (533) |
| C          | 15.75   | (400) |
| D          | 17.25   | (438) |
| E          | --      | (--)  |

|  |          |   |       |       |       |       |       |
|--|----------|---|-------|-------|-------|-------|-------|
| IMPEDANCE / IMPÉDANCE *                                | 5.01     | (%)   |       |       |       |       |       |
| NO LOAD LOSSES / PERTES À VIDE *                       | 130.9    | WATTS   |       |       |       |       |       |
| LOAD LOSSES / PERTES EN CHARGE * (170 °C)              | 1556.7   | WATTS   |       |       |       |       |       |
| TOTAL LOSSES / PERTES TOTALES *                        | 1687.6   | WATTS   |       |       |       |       |       |
| EXCITING CURRENT / COURANT D'EXCIT. *                  | 1.2      | (%)   |       |       |       |       |       |
| NOISE LEVEL / NIVEAU DE BRUIT *                        | 50       | (dBA)   |       |       |       |       |       |
| X/R RATIO / RATIO X/R *                                | 1.26     |   |       |       |       |       |       |
| % REGULATION (170 °C) *<br>(FULL LOAD) (PLEINE CHARGE) |          | % EFFICIENCY / % EFFICACITÉ<br>(170 °C) *   (75 °C)** |       |       |       |       |       |
| 1.0 P.F.   | 0.9 P.F. | 0.8 P.F.  | 100%  | 75%   | 50%   | 25%   | 35%   |
| 3.18   | 4.53     | 4.85  | 96.74 | 97.39 | 97.96 | 98.21 | 98.39 |

INSULATION CLASS / CLASSE D'ISOLATION 220

\* ESTIMATED VALUES / VALEURS ESTIMÉES

\*\* MEETS / EXCEEDS CSA C802.2 EFFICIENCY

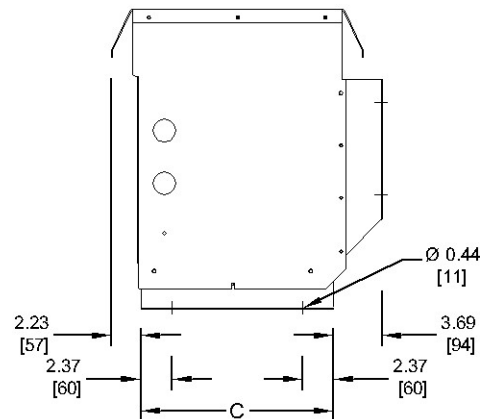
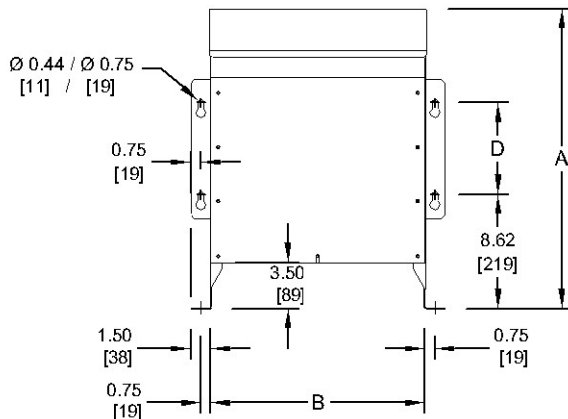
\*\* ÉGALE / DÉPASSE EFFICACITÉ CSA C802.2

MOUNTING WALL / FLOOR

ANCRAGE : MUR / PLANCHER

1 PHASE / 2 COIL / ALUMINIUM

1 PHASE / 2 BOBINES / ALUMINIUM



FOR PROPER VENTILATION FOR FLOOR INSTALLATION KEEP AT LEAST 6 INCHES FROM ADJACENT WALLS

POUR UNE BONNE VENTILATION LORSQUE INSTALLÉ AU SOL PLACEZ L'APPAREIL À AU MOINS 6 POUCHES DES MURS ADJACENTS

|                               |                   |   |  |            |
|-------------------------------|-------------------|---|--|------------|
| CUSTOMER<br>CLIENT<br>PO / BC |                   | <b>SPECIAL INST'N / INSTR. SPÉCIALE</b><br>CSA C802.2 Distribution Transformer // Transformateur de distribution CSA C802.2 |  |            |
| CONTR.<br>PROJ.               |                   |   |  |            |
| WO<br>FT                      | DRAWING<br>DESSIN | <p>Tel : 1-800-663-3582<br/>Fax : 1-877-449-9115</p>  |  |            |
| DRAW.<br>DESS.                | Date 2015/06/05   |   |  | Ref. No -1 |
| APPD.<br>APP.                 | Date              |   |  | V0001      |
|                               |                   |   |  |            |

Subject to change without notice / Sujet à changement sans préavis