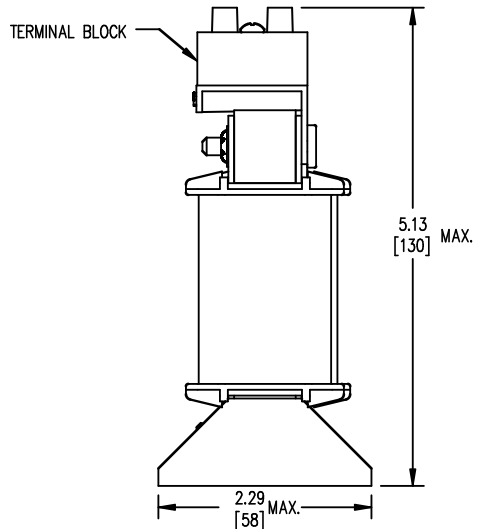
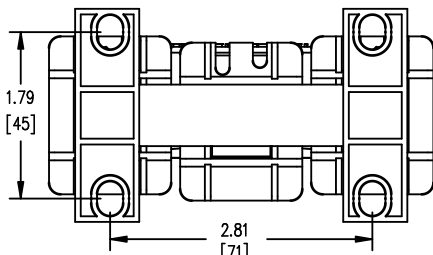


FRONT VIEW

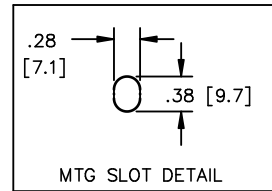


SIDE VIEW



BOTTOM VIEW

TERMINAL BLOCK  
SUITABLE FOR  
#14 TO #18 AWG  
CONDUCTORS  
QTY. 1 PER PHASE



MTG SLOT DETAIL



TOLERANCES  
MOUNTING CENTERS = +/- .06"  
MOUNTING HOLE SIZE = +/- .005"

THIS DRAWING CONTAINS PROPRIETARY INFORMATION  
BELONGING TO DELTA TRANSFORMERS,  
AND IS NOT FOR GENERAL DISTRIBUTION

All Dimensions in Inches  
mm in Parenthesis

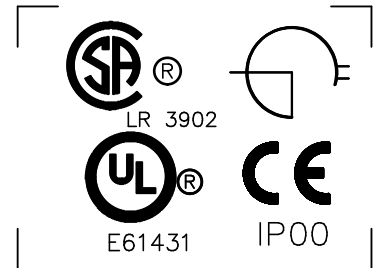
REACTOR



3 PHASE DRY TYPE REACTOR  
DELTA NOVA  
DTX01D8BC

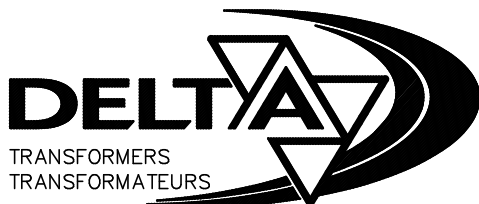
f003781.edt

27.2MH50/60 HZ 1.8 AMPS



0.6 KV CLASS TEMP CLASS: 130 TYPE JR-1  
TERMINAL TORQUE: 5 LB-IN AMBIENT: 50°C

NOTES:



TITLE: 3 PHASE LINE REACTOR

DES:	JWEN
DATE:	16/02/10
SCALE:	NTS

SHEET 1 OF 1

EDBDTX01D8BC

0.1\_wen 2010/03/18/03/1910