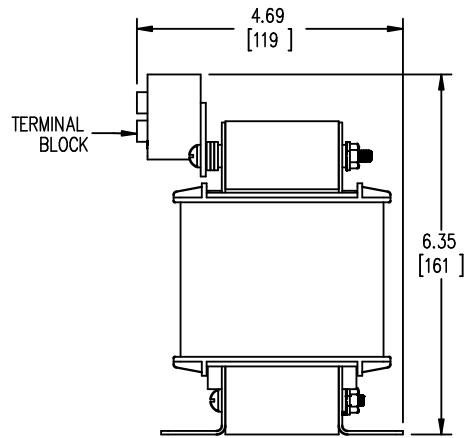
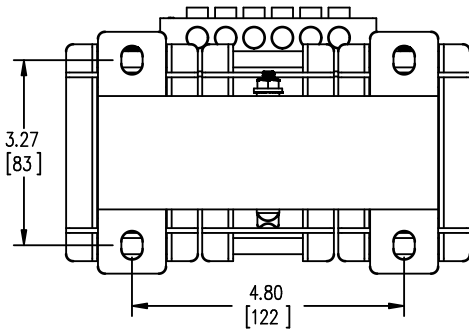


FRONT VIEW

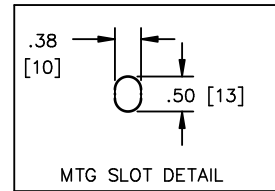


SIDE VIEW



BOTTOM VIEW

TERMINAL BLOCK  
SUITABLE FOR  
#14 TO #4 AWG  
CONDUCTORS  
QTY. 1 PER PHASE



TOLERANCES  
MOUNTING CENTERS = +/- .06"  
MOUNTING HOLE SIZE = +/- .005"

THIS DRAWING CONTAINS PROPRIETARY INFORMATION  
BELONGING TO DELTA TRANSFORMERS,  
AND IS NOT FOR GENERAL DISTRIBUTION

All Dimensions in Inches  
mm in Parenthesis

REACTOR



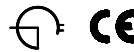
DELTA NOVA  
THREE PHASE LINE REACTOR

P/N DTX0032BC

f003776eedit INDUCT. 1.4 mH Hz 50/60 AMPS 32 IP00

0.6 kV CLASS TEMP CLASS 180°C TYPE JR-1

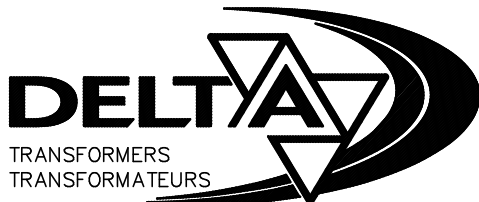
WEIGHT 12.1LBS AMBIENT: 50°C



LR3902



NOTES:



TITLE: 3 PHASE LINE REACTOR

DES:	JWEN
DATE:	16/02/10
SCALE:	NTS

NO.	DATE	BY	REVISION

SHEET 1 OF 1

EDBDTX0032BC

0.1 Wen 2010/03/19 16:01