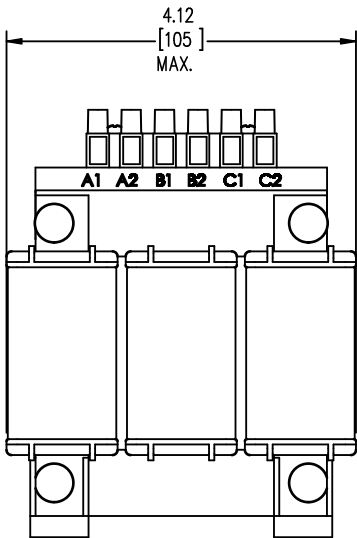
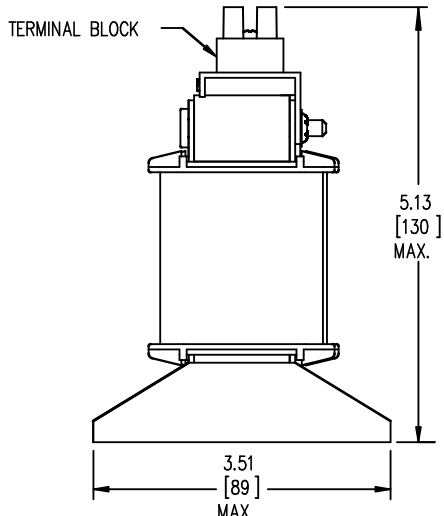


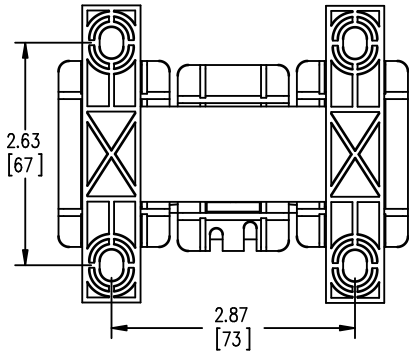
REACTOR



FRONT VIEW

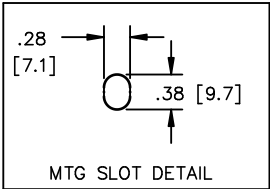


SIDE VIEW



BOTTOM VIEW

TERMINAL BLOCK
SUITABLE FOR
#14 TO #18 AWG
CONDUCTORS
QTY. 1 PER PHASE



MTG SLOT DETAIL



TOLERANCES
MOUNTING CENTERS = +/- .06"
MOUNTING HOLE SIZE = +/- .005"

THIS DRAWING CONTAINS PROPRIETARY INFORMATION
BELONGING TO DELTA TRANSFORMERS,
AND IS NOT FOR GENERAL DISTRIBUTION

All Dimensions in Inches
mm in Parenthesis

REACTOR



3 PHASE DRY TYPE REACTOR
DELTA NOVA
DTX07D6AC

f003781edt

3.1MH50/60 HZ 7.6 AMPS

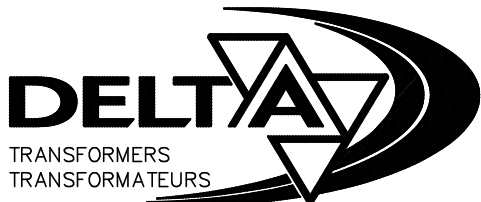
0.6 KV CLASS TEMP CLASS: 130 TYPE JR
TERMINAL TORQUE: 5 LB-IN AMBIENT: 50°C



E61431

IP00

NOTES:



TITLE: 3 PHASE LINE REACTOR

SHEET 1 OF 1

EDBDTX07D6AC

DES:	JWEN		
DATE:	16/02/10		
SCALE:	NTS		
NO.	DATE	BY	REVISION