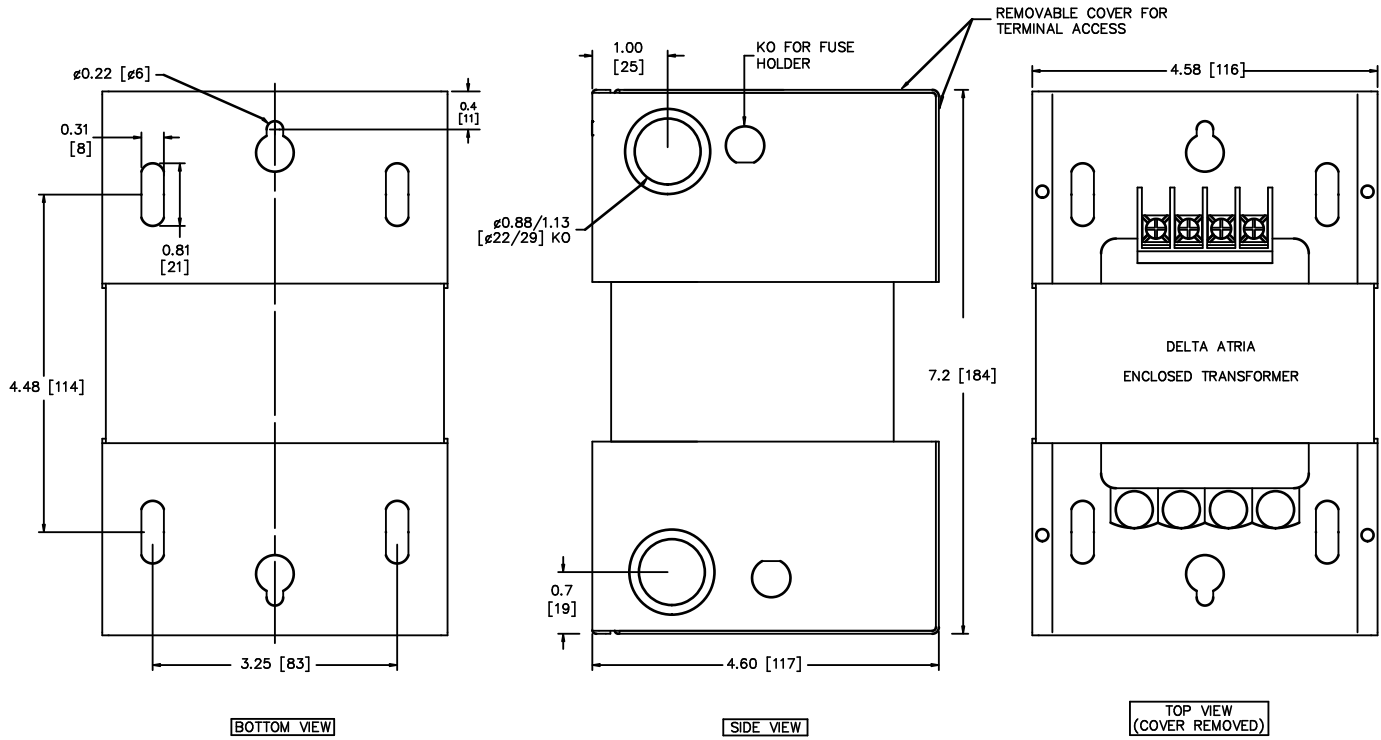


F 114x59WLUGS

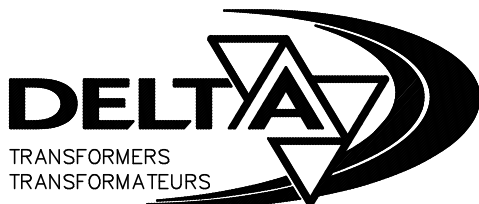


TOLERANCE +/- 0.1 IN [+/-2.5 MM]
ALL DIMENSIONS IN INCHES [MM]

*OPTIONAL FUSEHOLDER KIT (P/N FSFH1) WILL
ADD 0.71"[18 MM] TO THE WIDTH

		H1		H3		H2		H4		
		Atria		CAT.NO.		DCE500PC		LR3902		
npl404c-dt	500 VA		240V HV 480V		1 3 2 4		1 3 2 4			
	50/60 Hz		4 2 3 1		4 2 3 1					
	95 °C RISE		12V LV 24V		4 2 3 1		4 2 3 1			
		X4		X2		X3		X1		TYPE E LISTED 252L E50394 130-9
MADE IN CHINA										

NOTES:



TITLE: 1 PH ENCLOSED GENERAL PURPOSE TX

DES:	WWONG
DATE:	16/04/01
SCALE:	NTS

SHEET 1 OF 1

EDBDCE500PC

0.0 wong 2016/04/01 14:31