

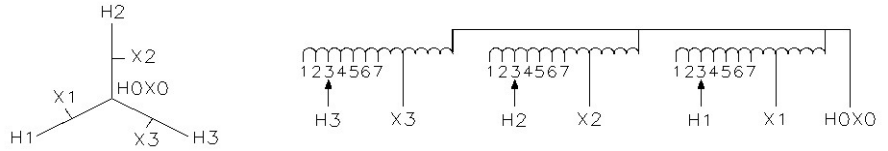
DISTRIBUTION PRODUCTS / PRODUITS DISTRIBUTION

DRY TYPE AUTOTRANSFORMER / AUTOTRANSFORMATEUR DE TYPE SEC

| | | |
|---------------------------|------------------|-------|
| CAT. | CATC0030VNA6XXCD | |
| KVA | 30 | |
| PHASE | 3 | 60 Hz |
| TEMP. RISE ÉLEV. TEMP. | 150 °C | |
| TAPS PRISES | 2 - 4.5 % 1A, 1B | |
| ENCLOS. BOITIER | 3R | 82 Kg |

| PRIMARY / PRIMAIRE | |
|--------------------|---------------------------|
| VOLTAGE TENSION | CONNECTORS CONNECTEURS |
| 600Y/346 | #14 to/à #2 |

| SECONDARY / SECONDAIRE | |
|------------------------|---------------------------|
| VOLTAGE TENSION | CONNECTORS CONNECTEURS |
| 380Y/219 | #14 to/à #2 |

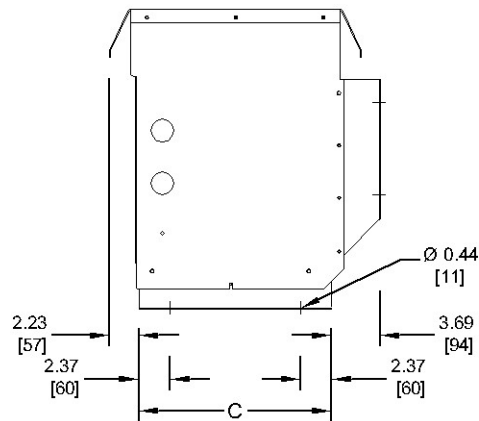
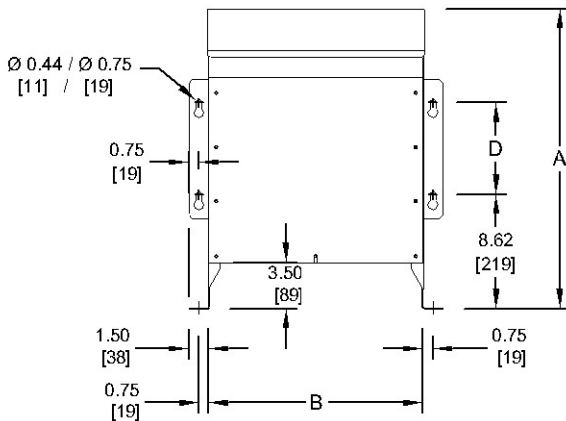


| DIMENSIONS | | |
|------------|---------|-------|
| | IN / PO | MM |
| A | 25 | (635) |
| B | 21 | (533) |
| C | 12.75 | (324) |
| D | 9.25 | (235) |
| E | -- | (--) |

| | | | | | | | |
|---|-------------|----------|-------|-------|-------|-------|-----|
| IMPEDANCE / IMPÉDANCE * | STD (%) | | | | | | |
| NO LOAD LOSSES / PERTES À VIDE * | 173.6 WATTS | | | | | | |
| LOAD LOSSES / PERTES EN CHARGE * (170 °C) | 524 WATTS | | | | | | |
| TOTAL LOSSES / PERTES TOTALES * | 697.6 WATTS | | | | | | |
| EXCITING CURRENT / COURANT D'EXCIT. * | 3.2 (%) | | | | | | |
| NOISE LEVEL / NIVEAU DE BRUIT * | 45 (dBA) | | | | | | |
| X/R RATIO / RATIO X/R * | 0.51 | | | | | | |
| % REGULATION (170 °C) * (FULL LOAD) (PLEINE CHARGE) | | | | | | | |
| % EFFICIENCY / % EFFICACITÉ (170 °C) * (75 °C)** | | | | | | | |
| 1.0 P.F. | 0.9 P.F. | 0.8 P.F. | 100% | 75% | 50% | 25% | 35% |
| 1.75 | 1.96 | 1.93 | 97.73 | 97.96 | 98.01 | 97.32 | N/A |

INSULATION CLASS / CLASSE D'ISOLATION 220
 * ESTIMATED VALUES / VALEURS ESTIMÉES
 ** EFFICIENCY / EFFICACITÉ :
 MEETS OR EXCEEDS / ÉGALE OU DÉPASSE

3 PHASE / 3 COIL / COPPER
 3 PHASES / 3 BOBINES / CUIVRE



MOUNTING : WALL / FLOOR
 ANCRAGE : MUR / PLANCHER

FOR PROPER VENTILATION FOR FLOOR INSTALLATION KEEP AT LEAST 6 INCHES FROM ADJACENT WALLS
 POUR UNE BONNE VENTILATION LORSQUE INSTALLÉ AU SOL PLACEZ À AU MOINS 6 POUCHES DES MURS ADJACENTS

| | | | |
|--------------------|-------------------|---|--|
| CUSTOMER CLIENT | | SPECIAL INST'N / INSTR. SPÉCIALE | |
| PO / BC | | | |
| CONTR. PROJ. | | | |
| WO FT | DRAWING DESSIN | | |
| DRAW. DESS. | Date 2019/11/07 | Ref. No -1 | <p>Tel : 1-800-663-3582 Fax : 1-877-449-9115</p> |
| APPD. APP. | Date | V0001 | |

Subject to change without notice / Sujet à changement sans préavis