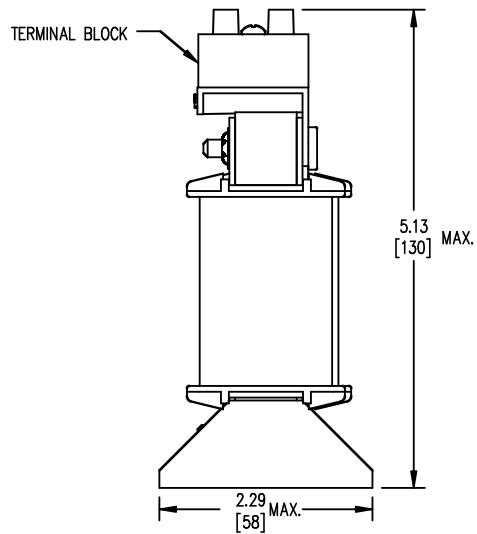
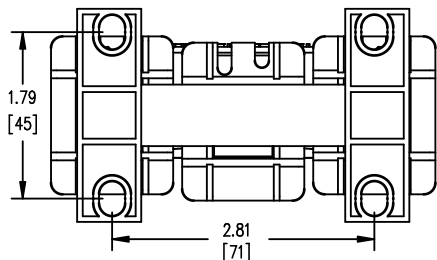


FRONT VIEW

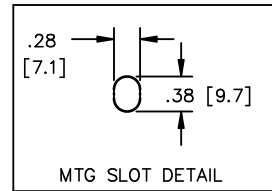


SIDE VIEW



BOTTOM VIEW

TERMINAL BLOCK  
SUITABLE FOR  
#14 TO #18 AWG  
CONDUCTORS  
QTY. 1 PER PHASE



MTG SLOT DETAIL



TOLERANCES  
MOUNTING CENTERS = +/- .06"  
MOUNTING HOLE SIZE = +/- .005"

THIS DRAWING CONTAINS PROPRIETARY INFORMATION  
BELONGING TO DELTA TRANSFORMERS,  
AND IS NOT FOR GENERAL DISTRIBUTION

All Dimensions in Inches  
mm in Parenthesis

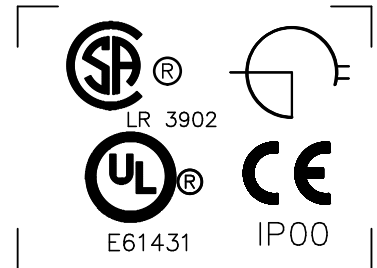
REACTOR



3 PHASE DRY TYPE REACTOR  
DELTA NOVA  
DTX02D6AC

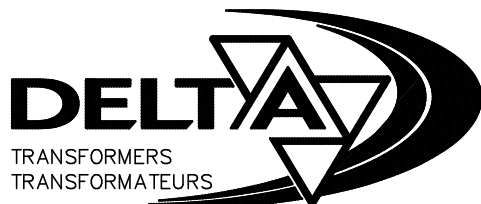
f003781.edt

10.6MH50/60 HZ 2.6 AMPS



0.6 KV CLASS TEMP CLASS: 130 TYPE JR-1  
TERMINAL TORQUE: 5 LB-IN AMBIENT: 50°C

NOTES:



TITLE: 3 PHASE LINE REACTOR				SHEET 1 OF 1	EJBDTX02D6AC
				DES: JWEN	
				DATE: 16/02/10	
				SCALE: NTS	
NO.	DATE	BY	REVISION		