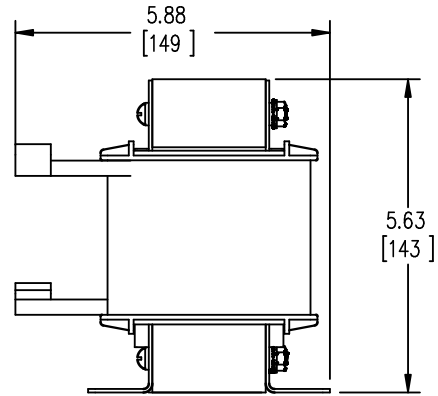
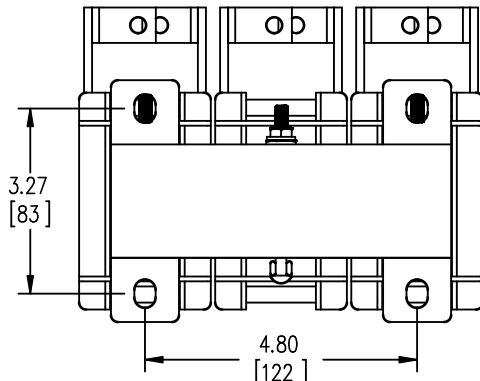


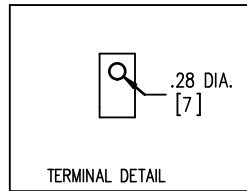
FRONT VIEW



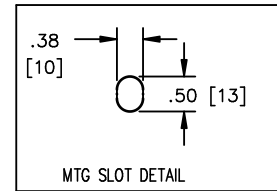
SIDE VIEW



BOTTOM VIEW



TERMINAL DETAIL



MTG SLOT DETAIL



TOLERANCES  
MOUNTING CENTERS = +/- .06"  
MOUNTING HOLE SIZE = +/- .005"

THIS DRAWING CONTAINS PROPRIETARY INFORMATION  
BELONGING TO DELTA TRANSFORMERS,  
AND IS NOT FOR GENERAL DISTRIBUTION

All Dimensions in Inches  
mm in Parenthesis

REACTOR



DELTA NOVA  
THREE PHASE LINE REACTOR

P/N DTX0099AC

f003776eedit INDUCT. 0.28 mH Hz 50/60 AMPS 99 IP00

0.6 kV CLASS TEMP CLASS 180°C TYPE JR-2

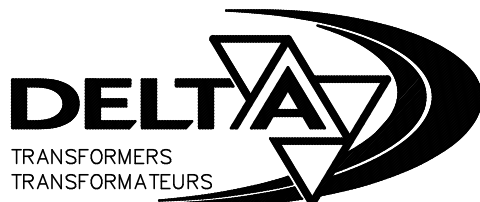
WEIGHT 26 LBS AMBIENT: 50°C



LR3902



NOTES:



TITLE: IRON CORE LINE REACTOR

DES:	JWEN
DATE:	16/02/10
SCALE:	NTS

SHEET 1 OF 1

EDBDTX0099AC

0.1\_jwen 2016/03/18 16:04