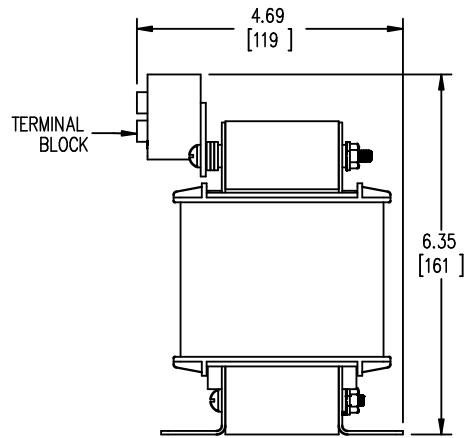
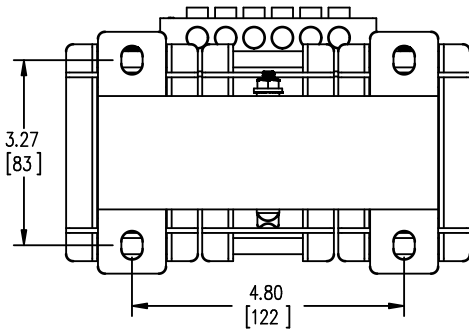


FRONT VIEW

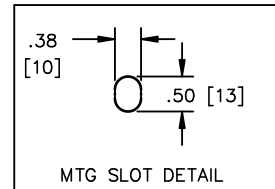


SIDE VIEW



BOTTOM VIEW

TERMINAL BLOCK
SUITABLE FOR
#14 TO #4 AWG
CONDUCTORS
QTY. 1 PER PHASE



TOLERANCES
MOUNTING CENTERS = +/- .06"
MOUNTING HOLE SIZE = +/- .005"

THIS DRAWING CONTAINS PROPRIETARY INFORMATION
BELONGING TO DELTA TRANSFORMERS,
AND IS NOT FOR GENERAL DISTRIBUTION

All Dimensions in Inches
mm in Parenthesis

REACTOR



DELTA NOVA
THREE PHASE LINE REACTOR

P/N DTX0062AC

f003776eedit INDUCT. 0.445 mH Hz 50/60 AMPS 62 IP00

0.6 kV CLASS TEMP CLASS 180°C TYPE JR-1

WEIGHT 19 LBS AMBIENT: 50°C

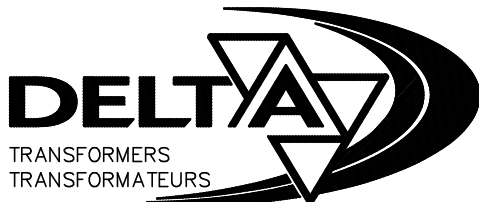


LR3902



E61431

NOTES:



TITLE: 3 PHASE LINE REACTOR

DES:	JWEN
DATE:	16/02/10
SCALE:	NTS

NO.	DATE	BY	REVISION

SHEET 1 OF 1

EDBDTX0062AC

0.1_jwen 2010/03/18 16:02