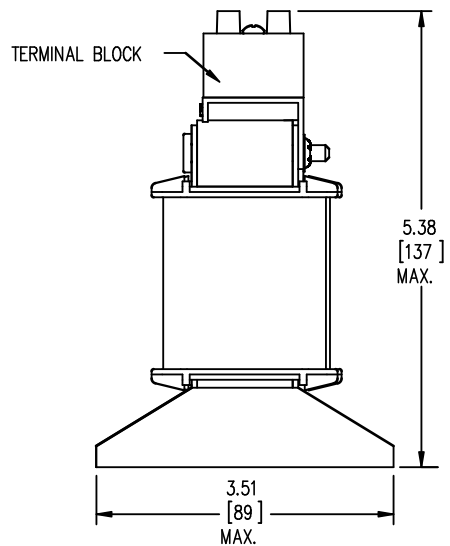
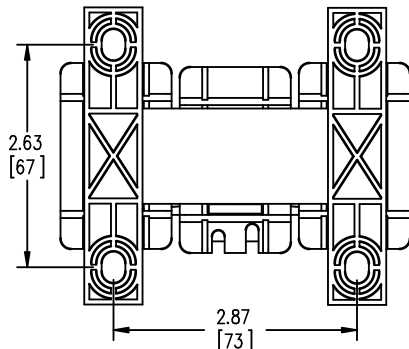


FRONT VIEW

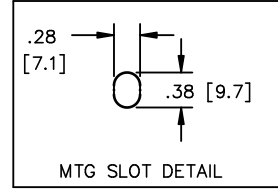


SIDE VIEW



BOTTOM VIEW

TERMINAL BLOCK
SUITABLE FOR
#13 TO #10 AWG
CONDUCTORS
QTY. 1 PER PHASE



MTG SLOT DETAIL



TOLERANCES
MOUNTING CENTERS = +/- .06"
MOUNTING HOLE SIZE = +/- .005"

THIS DRAWING CONTAINS PROPRIETARY INFORMATION
BELONGING TO DELTA TRANSFORMERS,
AND IS NOT FOR GENERAL DISTRIBUTION

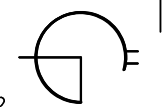
All Dimensions in Inches
mm in Parenthesis

REACTOR



3 PHASE DRY TYPE REACTOR
DELTA NOVA
DTX0014AC
1.6MH50/60 HZ 14 AMPS

f003781edt



0.6 KV CLASS TEMP CLASS: 130 TYPE JR-1
TERMINAL TORQUE: 11 LB-IN AMBIENT: 50°C

NOTES:



TITLE: 3 PHASE LINE REACTOR

DES:	PBAKER
DATE:	16/01/29
SCALE:	NTS

SHEET 1 OF 1

EDBDTX0014AC

00:16:18/03/03/10/00