



* ALL DIMENSIONS ARE IN INCHES
 * TOLERANCES STD. + / - 0.1 INCHES [+ / - 3 MM]

* OPTIONAL FUSEBLOCK ADAPTER KIT (P/N FBOAK1) WILL ADD
 0.38"[9.65] TO THE HEIGHT

* OPTIONAL PRIMARY AND SECONDARY FINGERGUARDS (P/N FG01)
 WILL ADD 0.19"[4.9] TO THE HEIGHT AND 0.38"[9.65] TO THE DEPTH

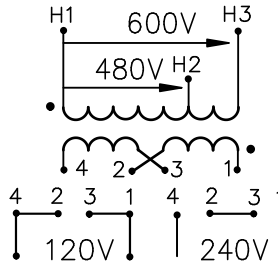
INDUSTRIAL CONTROL TRANSFORMER
 TRANSFORMATEUR DE CONTROLE INDUSTRIEL

np1379c-dt

2000VA
 60Hz
 115°C RISE


CE 1300 VA

H1 H2 H3




180-7

CAT.NO.
 DC02000UH



LR3902



LISTED
 252L
 E50394
 180-7
 TYPE 3AH

FABRIQUER EN CHINA

NOTES:



TITLE: ORION 1 PHASE CONTROL TRANSFORMER			
			DES: WWONG
			DATE: 10/05/31
NO.	DATE	BY	REVISION
			SCALE: NTS

SHEET 1 OF 1
 EDBDC02000UH

0.0 root 2010/06/03 17:39